

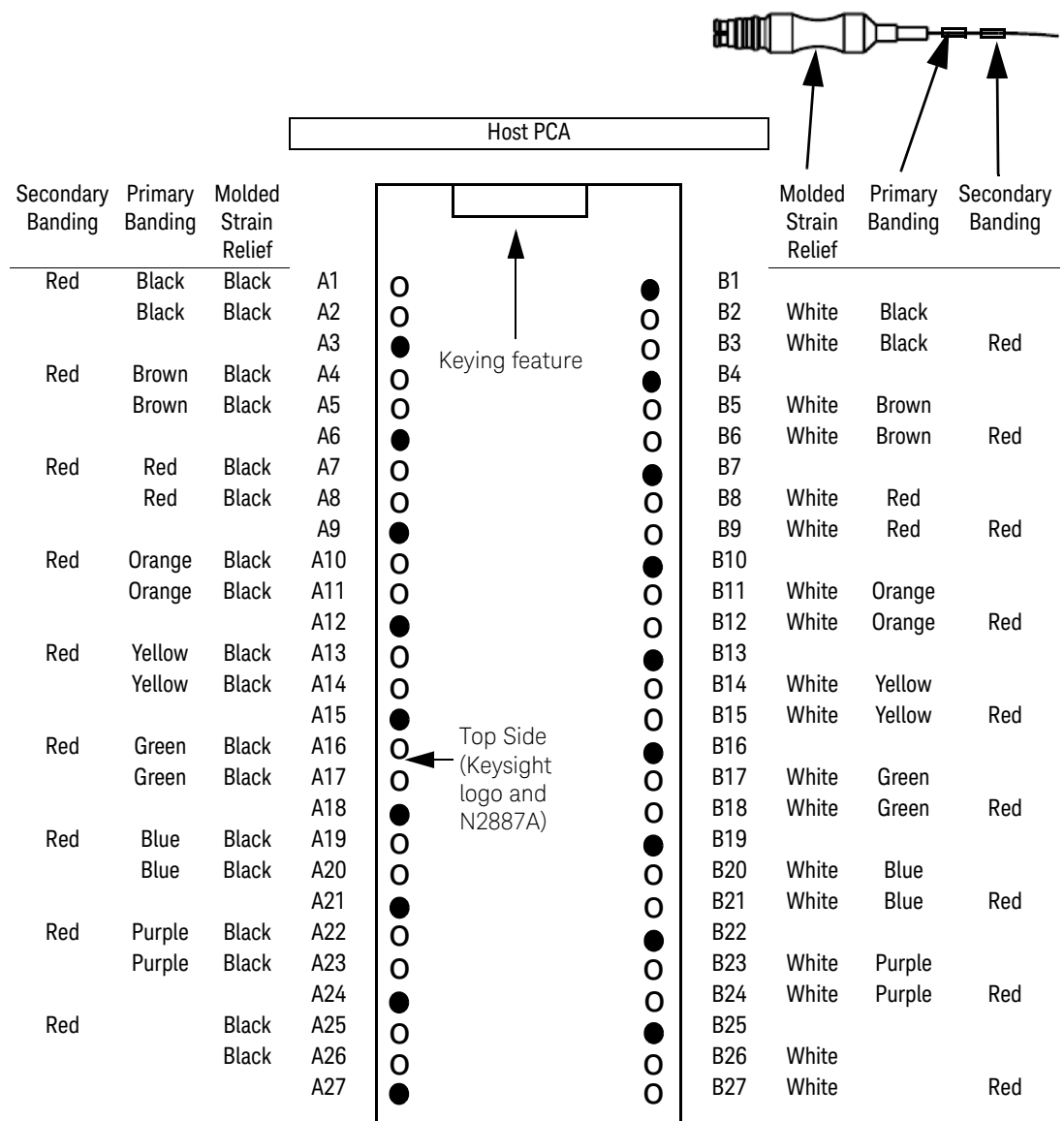
N2887A/N2888A InfiniiMax Soft Touch Probe Heads

Pin-Out Diagrams

The N2887A InfiniiMax Soft Touch Probe Head contains 36 signal connections and 18 dedicated ground connections. You can define the arrangement of signals (differential, single-ended, and clocks). The signal and ground connections of the N2887A are arranged so they are compatible with the Keysight Pro Series Soft Touch logic analyzer probe footprint (E5402A, E5404A, E5405A, E5406A). When probing an existing Pro Series Soft Touch footprint, refer to the *Keysight E5400-Pro Series Soft Touch Connectorless Probes User's Guide* for specifics about signal and clock locations.

N2887A InfiniiMax Soft Touch Pro Probe Head Pin-Out

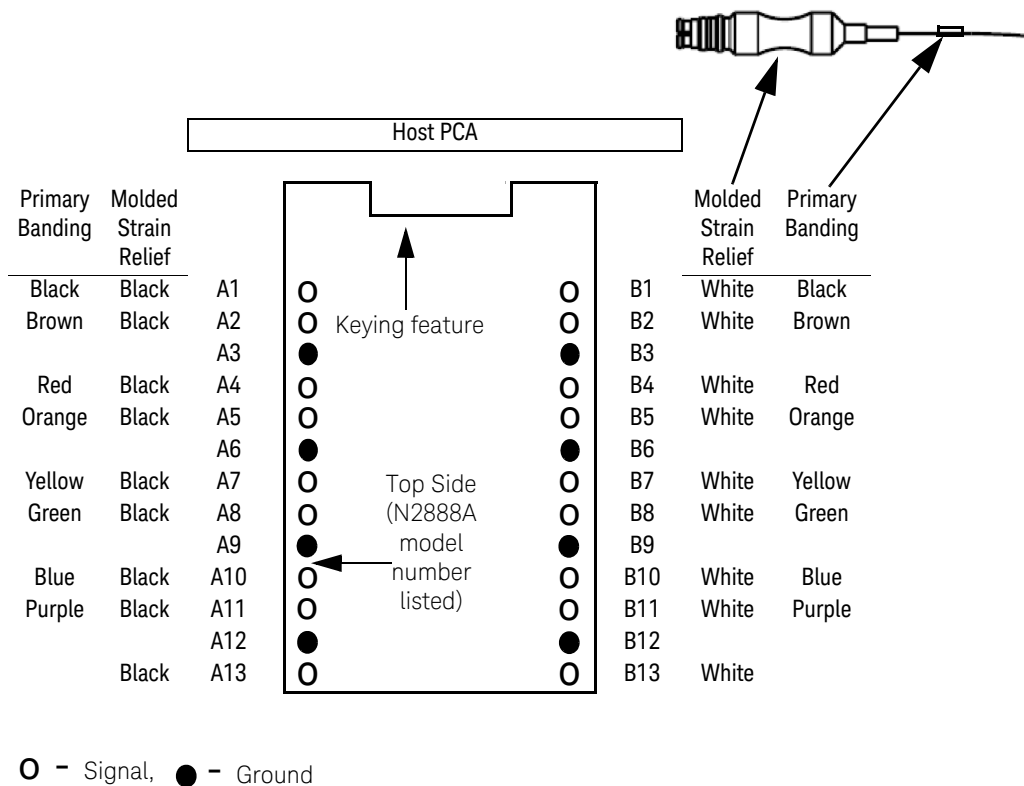
(N2888A Pin-out is on the other side)



○ - Signal, ● - Ground

N2888A InfiniiMax Soft Touch Half-channel Probe Head Pin-Out

The N2888A InfiniiMax Soft Touch Half-channel Probe Head contains 18 signal connections and 8 dedicated ground connections. You can define the arrangement of signals (differential, single-ended, and clocks). The signal and ground connections of the N2888A are arranged so they are compatible with the Keysight Half-channel Soft Touch logic analyzer probe footprint (E5396A, E5398A). When probing an existing Half-channel Soft Touch footprint, refer to the *Keysight Soft Touch Connectorless Probes User's Guide* for specifics about signal and clock locations.



Keysight Technologies, 2019
 Manual Part Number: N2887-97000
 December 2019
 Available in electronic format only



* N 2 8 8 7 - 9 7 0 0 0 *