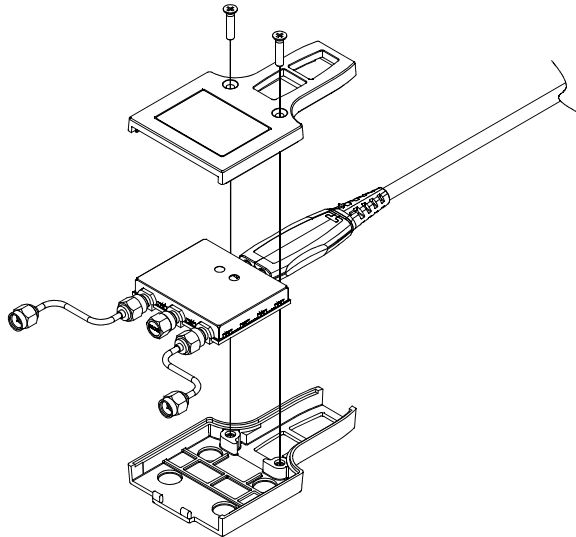




Agilent N5380-64701 SMA Head Support

The Agilent N5380-64701 SMA Head Support is included to prevent damage to the probe amplifier. It is strongly recommended that you use the SMA Head Support whenever you are using the N5380A or E2695A SMA probe heads.

Below is a drawing showing how to attach the SMA Head Support using two of the four screws provided in the kit (the other two screws are extras in case you need them in the future). Be sure to plug the probe amplifier into the SMA head before installing the SMA Head Support. Also, do not attempt to plug or unplug the SMA head from the probe amplifier while it is in the SMA Head Support housing.



© Agilent Technologies, Inc. 2008

Printed in Malaysia 5/08

First Edition, May 2008



N5380-92000



Agilent Technologies